

Instruction of Breakout Board

- 1、 To connect the PC parallel port by the parallel cable of the printer,



- 2、 The power supply input port, can set up the single or double power supply



JN1&JN2 connected , is the case of the single power , the POWER + and the isolating source will be connected, the GND and the isolating source GND will be connected: if the JN1&JN2 is open circuit , the POWER + and the isolating source will be cut off, the GND and the isolating source GND will be cut off.



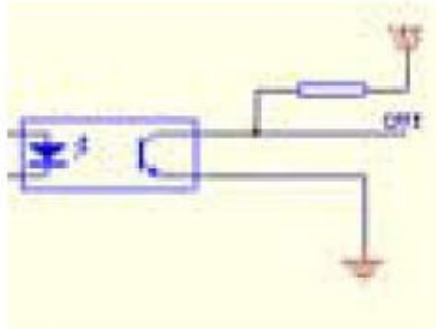
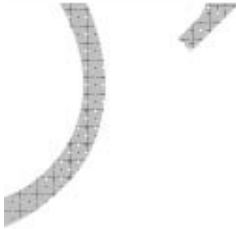
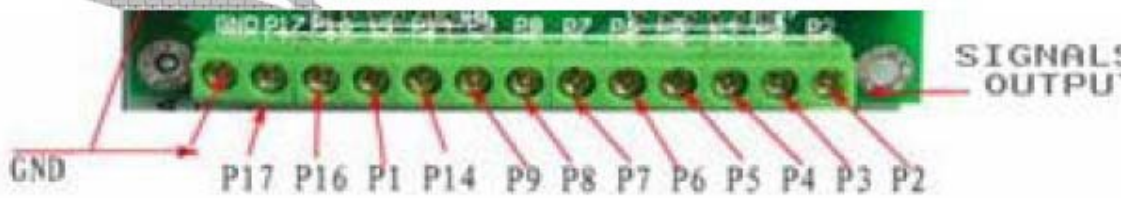
J4 is the GND and the POWER + of the isolating source





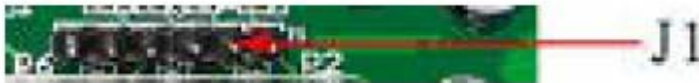
Changzhou Longs Motor Co., Ltd.

3、 Output connector, 12 wires OC(screw terminal output).

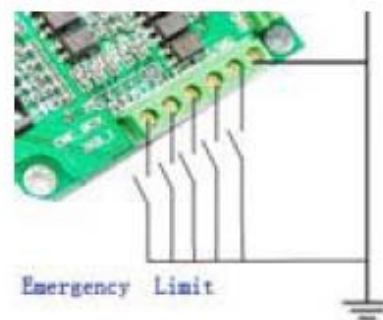
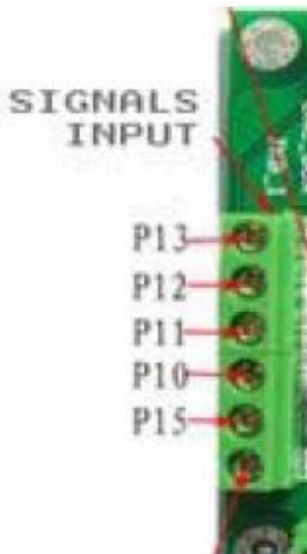


The internal circuit

J1 is the contact pin output, as the same as the terminal P2-P7, used to connect the small driver.

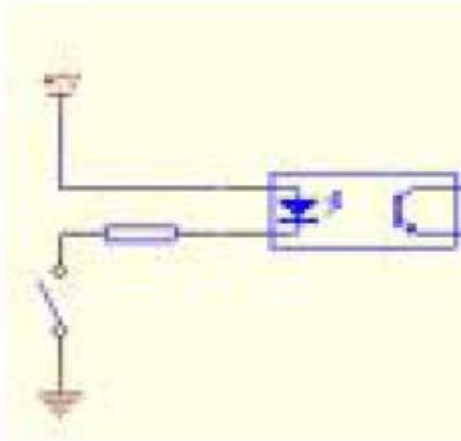


4、 The 5 channel input signal port can be connected to the external mechanical switch, the proximity switch etc.





Changzhou Longs Motor Co., Ltd.



Internal circuit

Through the P10-P15 , it can connect to the sensor and switch, and it can realised the function by setting up the software.
The connection of the mechanical switch.



Tina

Changzhou Longs Motor Co.,Ltd

ADD: NO.18 Hengshan Road, Changzhou City, Jiangsu Province, China

Fax:0086-519-8513 6737

Mob:0086-519-85138166

Email:anmy@longs-motor.com

MSN:justina861024@hotmail.com

Skype:soyjustina